

MITSUBISHI

FRONT WHEEL DRIVE MANUAL TRANSMISSION (E-W)

WORKSHOP MANUAL

FOREWORD

This Workshop Manual contains procedures for removal, disassembly, inspection, adjustment, reassembly and installation, etc. for service mechanics.

All information, illustrations and product descriptions contained in this manual are current as at the time of publication. We, however, reserve the right to make changes at any time without prior notice or obligation.

FILING INSTRUCTION

Please keep these manual pages in the binder No. BN940001.

File these pages according to the signs "Added", "Revised" and "Deleted" on the "List of effective pages" which are interpreted below.

Added:

File the pages with this sign additionally in your manual.

Revised, Deleted:

Replace the existing pages with the corresponding pages with this sign.

Missing sheets will be supplied upon request.

 MITSUBISHI MOTORS CORPORATION

Clutch **21A**
F5MR1, F5MR2, F5MR3

Clutch **21B**
F5M41, F5M42, W5M42

Manual Transmission **22A**
F5MR1, F5MR2, F5MR3

Manual Transmission **22B**
F5M41, F5M42, W5M42

Manual Transmission **22C**
F5M51

INTRODUCTION

EXPLANATION OF MANUAL CONTENTS

Maintenance and Servicing Procedures

- (1) A diagram of the component parts is provided near the front of each section in order to give the reader a better understanding of the installed condition of component parts.
 - (2) The numbers provided with the diagram indicate the sequence for maintenance and servicing procedures.
N : Indicates a non-reusable part.
The tightening torque is provided where applicable.
- **Removal steps:**
The part designation number corresponds to the number in the illustration to indicate removal steps.
 - **Disassembly steps:**
The part designation number corresponds to the number in the illustration to indicate disassembly steps.
 - **Installation steps:**
Specified in case installation is impossible in reverse order of removal steps. Omitted if installation is possible in reverse order of removal steps.
 - **Reassembly steps:**
Specified in case reassembly is impossible in reverse order of disassembly steps. Omitted if reassembly is possible in reverse order of disassembly steps.





Classification of Major Maintenance/Service Points

When there are major points relative to maintenance and servicing procedures (such as essential maintenance and service points, maintenance and service standard values, information regarding the use of special tools, etc.), these are arranged together as major maintenance and service points and explained in detail.

-  : Indicates that there are essential points for removal or disassembly.
 : Indicates that there are essential points for installation or reassembly.

Symbols for Lubrication, Sealants and Adhesives

Information concerning the locations for lubrication and for application of sealants and adhesives is provided, by using symbols, in the diagram of component parts, or on the page following the component parts page, and explained.

-  : Grease (multipurpose grease unless there is a brand or type specified)
-  : Sealant or adhesive
-  : Brake fluid, automatic transmission fluid
-  : Gear oil

INTRODUCTION

Indicates the group title.

Indicates the section title.

Indicates the group number.

Indicates the section number.

Indicates the page number.

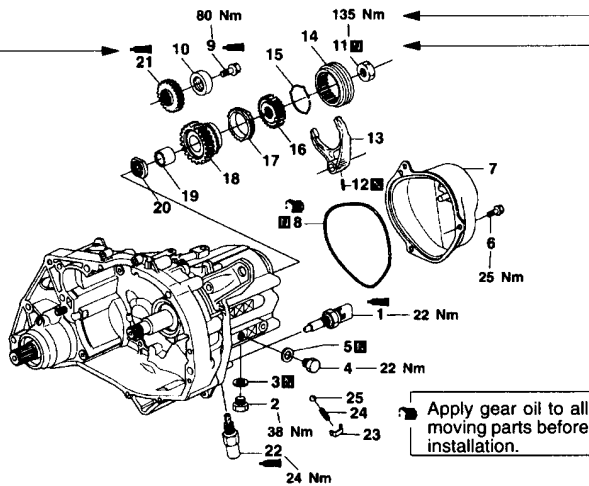
MANUAL TRANSMISSION (E-W) - Transmission

22A-3-1

3. TRANSMISSION

22200100035

DISASSEMBLY AND REASSEMBLY



Denotes tightening torque.

Denotes non-reusable part.

This number corresponds to the number appearing in "Removal steps", "Disassembly steps", "Installation steps" or "Reassembly steps".

Disassembly steps

- ▶ T 1. Back-up lamp switch
- ▶ 2. Drain plug
- ▶ 3. Gasket
- ▶ 4. Filler plug
- ▶ 5. Gasket
- ▶ A 6. Bolt
- ▶ A 7. Rear cover
- ▶ A 8. O-ring
- ▶ B 9. Bolt
- ▶ B 10. Shim
- ▶ B 11. Lock nut
- ▶ C 12. Spring pin
- ▶ C 13. 5th speed shift fork

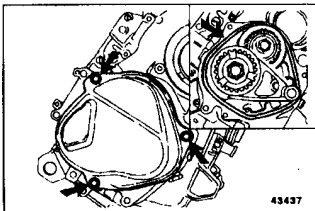
- ▶ C 14. Synchronizer sleeve
- ▶ D 15. Synchronizer spring
- ▶ D 16. Synchronizer hub
- ▶ N 17. Synchronizer ring
- ▶ D 18. 5th speed gear
- ▶ N 19. Bearing sleeve
- ▶ D 20. Retaining ring
- ▶ O 21. 5th gear wheel
- ▶ F 22. Locating pin
- ▶ G 23. Cover plate
- ▶ G 24. Poppet spring
- ▶ G 25. Poppet ball

Operating procedures, cautions, etc. on removal, installation, disassembly and reassembly are described.

DISASSEMBLY SERVICE POINTS

▶ A BOLT/REAR COVER/O-RING REMOVAL

- (1) Remove the bolts and lift off the rear cover carefully to avoid damaging the oil pipe on the rear cover.
- (2) Remove the O-ring.



© Mitsubishi Motors Corporation Nov. 1995

PWEE9508-A

00004285

Issue date

Publication number-Revision code

LIST OF EFFECTIVE PAGES

Page	Revision Code	Date	Remarks	Page	Revision Code	Date	Remarks
21A-0-1		May 1995		22B-3-6 to 22B-3-9	A	Nov. 1995	
21A-1-1	B	May 1996		22B-4-1	F	July 1999	
21A-2-1		May 1995		22B-4-2 to 22B-4-8	E	Jun. 1998	
21A-3-1 to 21A-3-3		May 1995		22B-5-1 and 22B-5-2	F	July 1999	
21A-4-1 and 21A-4-2		May 1995		22B-5-2a and 22B-5-2b	F	July 1999	
				22B-5-3 to 22B-5-6	A	Nov. 1995	
21B-0-1	E	Jun. 1998		22B-5-7	G	Jun. 2000	Revised
21B-1-1 and 21B-1-2	E	Jun. 1998		22B-6-1 to 22B-6-5	E	Jun. 1998	
21B-2-1 and 21B-2-2	E	Jun. 1998		22B-6-6	G	Jun. 2000	Revised
21B-2-2a to 21B-2-2d	E	Jun. 1998		22B-7-1 and 22B-7-2	F	July 1999	
21B-2-3	E	Jun. 1998		22B-7-2a and 22B-7-2b	F	July 1999	
21B-2-4	C	Jan. 1997		22B-7-3 and 22B-7-4	A	Nov. 1995	
21B-2-4a	E	Jun. 1998		22B-7-5	F	July 1999	
21B-2-4b	C	Jan. 1997		22B-7-6	G	Jun. 2000	Revised
21B-3-1	E	Jun. 1998		22B-7-7	F	July 1999	
21B-3-2	C	Jan. 1997		22B-8-1 and 22B-8-2	F	July 1999	
21B-3-2a	C	Jan. 1997		22B-8-3 to 22B-8-8	E	Jun. 1998	
				22B-8-9	G	Jun. 2000	Revised
22A-0-1	B	May 1996		22B-8-10	E	Jun. 1998	
22A-0-2 and 22A-0-3		May 1995		22B-9-1	E	Jun. 1998	
22A-0-4	B	May 1996		22B-10-1	A	Nov. 1995	
22A-1-1	E	Jun. 1998		22B-11-1	A	Nov. 1995	
22A-1-2	B	May 1996		22B-12-1	E	Jun. 1998	
22A-2-1 to 22A-2-4	B	May 1996		22B-12-2	C	Jan. 1997	
22A-3-1 and 22A-3-2	B	May 1996		22B-12-2a	C	Jan. 1997	
22A-3-2a and 22A-3-2b	B	May 1996		22B-13-1 and 22B-13-2	E	Jun. 1998	
22A-3-3		May 1995		22B-13-3	F	July 1999	
22A-3-4 to 22A-3-16	B	May 1996		22B-14-1	A	Nov. 1995	
22A-4-1 to 22A-4-9	B	May 1996		22B-14-2	F	July 1999	
22A-5-1 to 22A-5-6	B	May 1996		22B-15-1 to 22B-15-4	E	Jun. 1998	
22A-6-1 to 22A-6-6	B	May 1996		22B-16-1 to 22B-16-3	E	Jun. 1998	
22A-7-1 to 22A-7-3		May 1995		22B-17-1 to 22B-17-3	E	Jun. 1998	
22A-8-1 and 22A-8-2	B	May 1996					
22B-0-1	G	Jun. 2000	Revised	22C-0-1 to 22C-0-3	C	Jan. 1997	
22B-0-2	A	Nov. 1995		22C-1-1	D	Nov. 1997	
22B-0-3 to 22B-0-6	F	July 1999		22C-1-2 to 22C-1-6	C	Jan. 1997	
22B-0-7	E	Jun. 1998		22C-2-1 to 22C-2-3	C	Jan. 1997	
22B-1-1 and 22B-1-2	F	July 1999		22C-3-1 to 22C-3-8	C	Jan. 1997	
22B-1-2a and 22B-1-2b	F	July 1999		22C-4-1 to 22C-4-7	C	Jan. 1997	
22B-1-2c and 22B-1-2d	G	Jun. 2000	Revised	22C-5-1 to 22C-5-8	C	Jan. 1997	
22B-1-2e	G	Jun. 2000	Added	22C-6-1	C	Jan. 1997	
22B-1-3	E	Jun. 1998		22C-7-1	C	Jan. 1997	
22B-1-4 to 22B-1-9	F	July 1999		22C-8-1	C	Jan. 1997	
22B-2-1 to 22B-2-4	E	Jun. 1998		22C-9-1 to 22C-9-3	C	Jan. 1997	
22B-3-1 to 22B-3-4	A	Nov. 1995		22C-10-1 to 22C-10-3	C	Jan. 1997	
22B-3-5	F	July 1999		22C-11-1 and 22C-11-2	C	Jan. 1997	
				22C-12-1 to 22C-12-3	C	Jan. 1997	

Missing sheets will be supplied upon request.