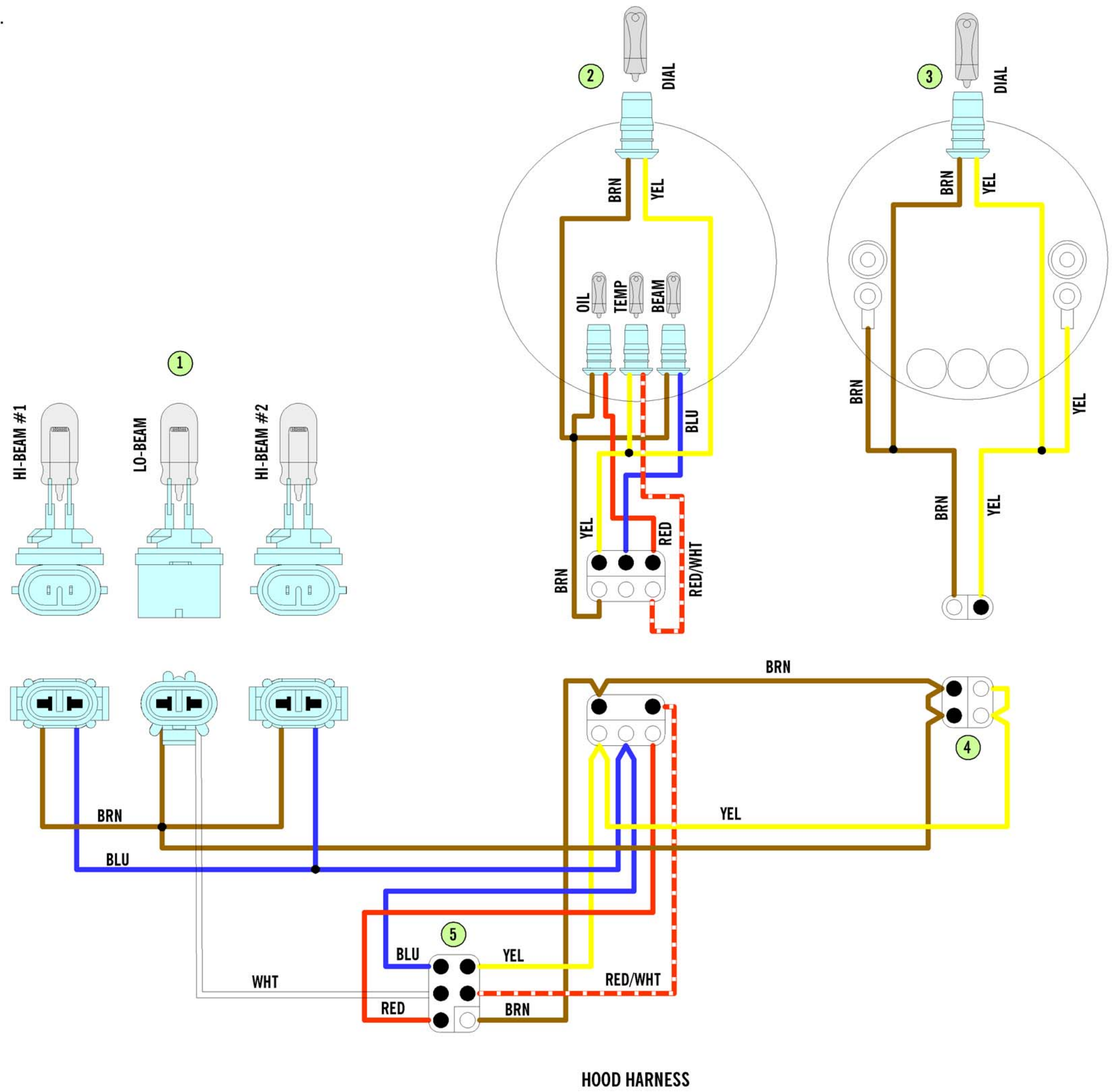
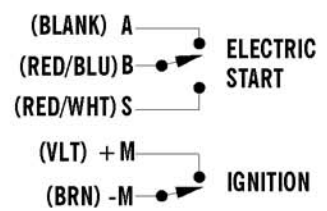
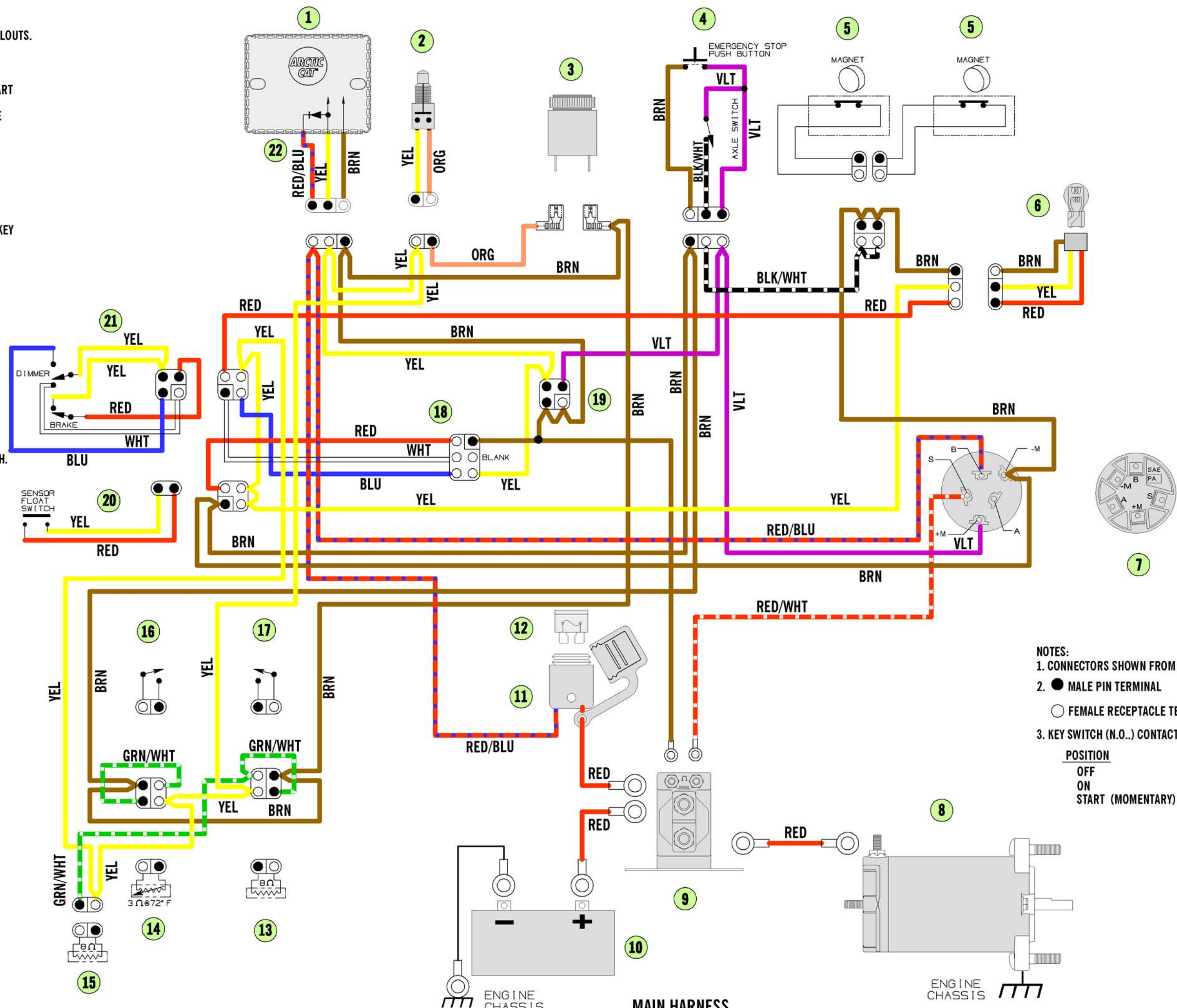


- 1 HEADLIGHT
- 2 SPEEDOMETER
- 3 TACHOMETER
- 4 CONNECTOR, OPTION ACCESSORY
- 5 CONNECTOR, MAIN HARNESS



'02 800 MC
 '02 600 MC
 '02 370 Z
 '02 440 Z
 '02 570 Z

- 1 REGULATOR, ELECTRIC START
- 2 SWITCH, REVERSE LINKAGE
- 3 ALARM, REVERSE
- 4 SWITCH, STOP/THROTTLE
- 5 SWITCH, CARB.
- 6 TAILLIGHT
- 7 SWITCH, ELECTRIC START KEY
- 8 STARTER
- 9 SOLENOID
- 10 BATTERY, 12V
- 11 FUSE HOLDER
- 12 FUSE, 7.5 AMP
- 13 HANDWARMER, L.H.
- 14 THUMBWARMER
- 15 HANDWARMER, R.H.
- 16 SWITCH, THUMBWARMER
- 17 SWITCH, HANDWARMER-L.H.
- 18 HARNESS, HOOD
- 19 CONNECTOR, ENGINE
- 20 SENSOR, LOW OIL
- 21 SWITCH, DIMMER/BRAKE
- 22 DIODE, CHARGING



NOTES:
 1. CONNECTORS SHOWN FROM MATING SURFACE SIDE.
 2. ● MALE PIN TERMINAL
 ○ FEMALE RECEPTACLE TERMINAL
 3. KEY SWITCH (N.O..) CONTACT CLOSURES AS FOLLOWS

POSITION	CONTACT
OFF	+ M + -M
ON	B + A
START (MOMENTARY)	B + S